

Promo Stands

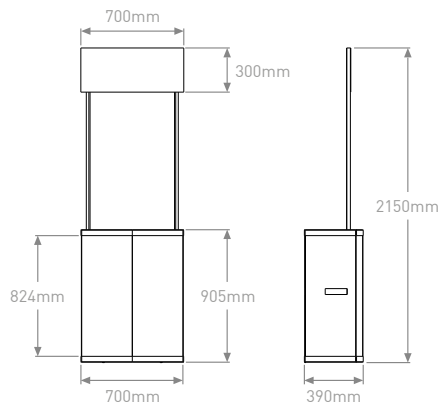
Lightweight, portable and cost-effective display counters, available in 2 stock sizes

- Flat-pack design for easy storage and transit
- Moulded white HIPS counter top, base and shelf
- White powder coated steel poles
- White foam PVC header and polypropylene counter panel – ideal for printed vinyl application
- Both sizes supplied complete with carry bag



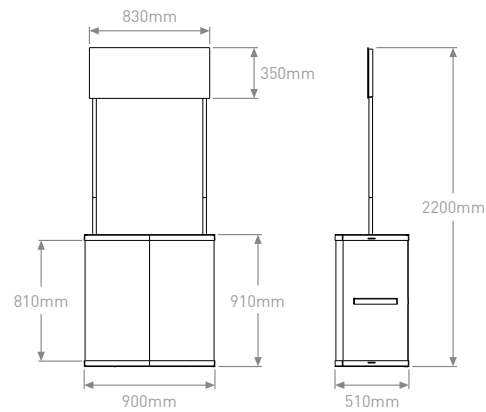
Petite

Maximum Loads
Counter top: 20kg
Internal shelf: 10kg



Large

Maximum Loads
Counter top: 25kg
Internal shelf: 20kg

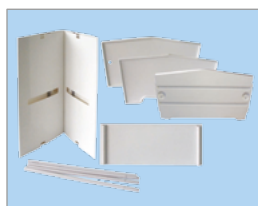


Panel	Panel Size (mm)	Display Area (mm)	O/A Dimensions (w x h x d mm)	Weight (kg)	Order Code
Header	700 x 300	700 x 300	700 x 2150 x 390	12.8	PETITPROMSTDWB
Counter	1596 x 900	1584 x 824*			

*Individual panel display areas – Front: 352 x 824 (x2). Sides: 340 x 824 (x2)

Panel	Panel Size (mm)	Display Area (mm)	O/A Dimensions (w x h x d mm)	Weight (kg)	Order Code
Header	830 x 350	830 x 350	900 x 2200 x 510	14.1	PROMSTDWB
Counter	2004 x 900	1976 x 810*			

*Individual panel display areas – Front: 441 x 810 (x2). Sides: 423 x 810 (x2)



In stock



10 minutes to assemble



Recyclable

Steel poles, moulded HIPS base, shelf and counter top, polypropylene counter panel and foam PVC header